

Sea- maiden

(Operation Instructions for MD-999)

ISO9001: 2000

Please read carefully these Operation Instructions before using this Unit.

Sea- maiden

CONTENTS

1. Photoelectric Inspection 4	P.1
2. Chakra (light) energy treatment	P.2
3. Electromagnetic Waves	P.3
4. 5 functions in Breast Enhancement	P.4
5. Description of Operation Panels	P.5-6
6. Diagrams of Parts	P.7
7. Diagram of Installation Flows	P.8
8. Cautions	P.9-10

I、 Photoelectric Inspection 4

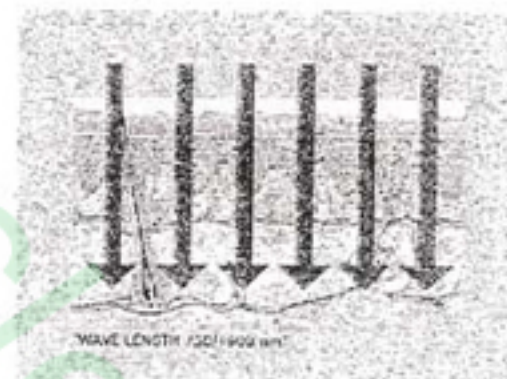
1) Infrared [ray]

An infrared ray is actually a kind of ray as well as a kind of electromagnetic wave, whose wavelength is longer than any other visible red ray. In the infrared electromagnetic spectrums, it lies between the visible red ray and microwave. The infrared ray results in thermal reaction by virtue resonance absorption so that the temperature deep in skin rises, with the expansion of micro blood vessels to boost blood circulation and to remove the obstacles of the metabolism of gores so as to activate cells and the generation of ferment. With the normal operation of metabolism, the aged and unnecessary hazardous substances will be excreted through the sweat gland within body along with the moisture; the infrared ray can be divided into the far infrared ray and the near infrared ray.

- One is in a high osmosis, capable of having the thermal effect within body (far infrared ray).
- The other is in high thermal absorption, capable of having thermal effect outside the body (near infrared ray).

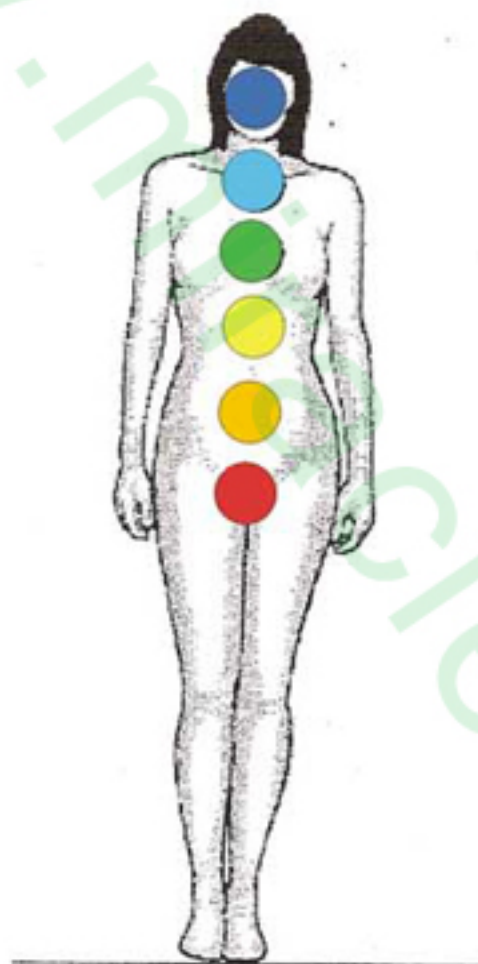
Physiological effect

- 1) To boost the redox
To reduce redundant fat pileup and to improve physique
- 2) Thermal preservation effect
To save the physical consumption and to maintain physical nutrition state
- 3) To boost the secretion of sweat and hypodermal fat
To achieve sports effect, health and beauty
- 4))Function as to activate physiological mechanism
To activate hormone and ferment, to excrete toxin and to deposit wastes
- 5) To enhance energy and vigor
To activate the metabolism, to make the most of the nutritious elements and to remove fatigue
- 6) To cure muscular diseases
To have positive effect on creatine, lactic acid liver to remove tension and pains
- 7) To enhance immunity
The far infrared ray will increase the number of marrow cells (Bcell) and thymus cells (Tcell) to enhance the function of immunity system function. And this is the reason why the far infrared ray is applicable to daily healthcare and health preservation



II, Chakra (light) energy treatment

Light is energy, and rays can be divided into different wavelengths, which have special speeds and frequency. Chakra (light) represents different central points of human body. There are 7 energy points in each human body, and each energy point expresses the specific altitude, feeling and styles, so the application of spectrum treatment can effectively develop human body, souls and intelligence. In addition to the output of infrared rays, it can emit red lights, yellow lights, blue lights and green lights. On the one hand, it can reduce weight, and on the other hand, the spectrum treatment can regulate body and soul.



Color	Position	Element	Organ	Treatment
Red	Bottom of backbone	Mud and dirt	Smell	Vitality, motive force, health, muscularity and courage
Yellow	Between the belly button and the wind	Fire	Vision	Self-confidence, pleasure, self-love, peace, energy and delight
Green	Wind	Air	Feeling	Love, harmony, relaxation, treatment, warmth
Blue	Throat	Sky	Sound	Freedom, inspiration, wisdom, confidence and independence

III. Electromagnetic waves

Simply, the electromagnetic waves are the fluctuation of electromagnetic fields, short for EMF). Any substance in the world, from primary particles to the celestial bodies, has certain magnetism. The earth itself is a tremendously large magnetic field. All living things and human body in the earth are always affected by such a physical environment factor. The geomagnetic field becomes indispensable environment factors to maintain normal vitality. The change in electromagnetic fields give rise to magnetic fields, and the change in magnetic fields will also form electric fields. The fluctuation of interaction is called electromagnetic wave. Like light and heat, it is a kind of energy as well as a kind of deep skin therapy. In addition to the thermal treatment effect, it can also boost blood circulation and boost the healing of tissues.

Theory of electromagnetic waves

Magnetic fields enable conductors to result in inductive dynamoelectric heat and inductive current. From the perspective of human body tissues and biophysics, it is exceptionally complicated. In magnetic fields, it will be affected by magnetic fields and have different effects. Liquids in human body are solutions of electrolytes, so they belong to conductors. The inductive current generated by magnetic therapy is very weak, namely, micro current. The generation of micro current may have effect on the biological electric activity within human body, which will have effect on the metabolism and functions of organs and tissues.

Physiological effect

- 1) To increase oxygen and to improve blood circulation
- 2) To increase the tractility of collagen tissue
- 3) To ease pains and muscle
- 4) To increase calcium transmission and to repair and help growth of gristle
- 5) To boost peripheral blood circulation and speed up the rate of metabolism
- 6) To enhance flexibility and elasticity of joints, for example, treatment of degraded arthritis and rheumatoid arthritis
- 7) To improve chronic edema of limbs
To enhance sweat gland functions

IV、 Five leading functions

Function 1: Light energy cover cups

Red light has the vigor to stimulate cells to accelerate blood circulation and have very good effect on the smoothness of blocked mammary glands.

Function 2: Magnetic wave efficacy

It rapidly improves the blood circulation system; and improve human body physiological magnetic fields; the magnetic waves can be used to break down melanin making nourishing breasts full of gloss.

Function 3: Light energy current

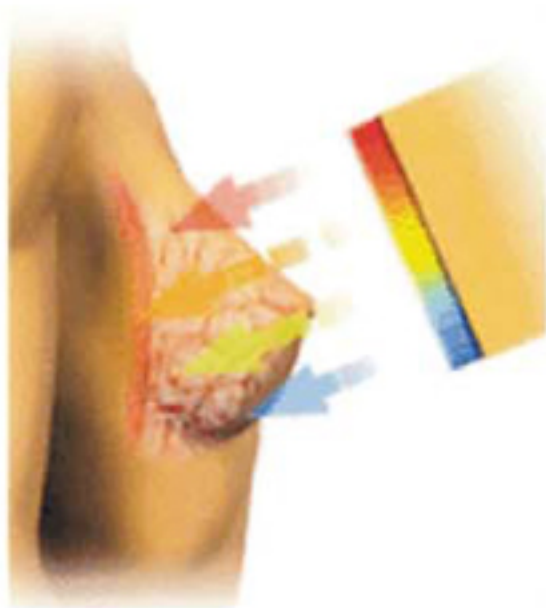
Alternative conversion of AC and DC may stimulate the nervous cells and boost the rapid shrinkage and compactness of skin.

Function 4: Positive and negative ions

They help increase supply of nutritious substances, increased friction of newly grown cells and accelerate metabolism.

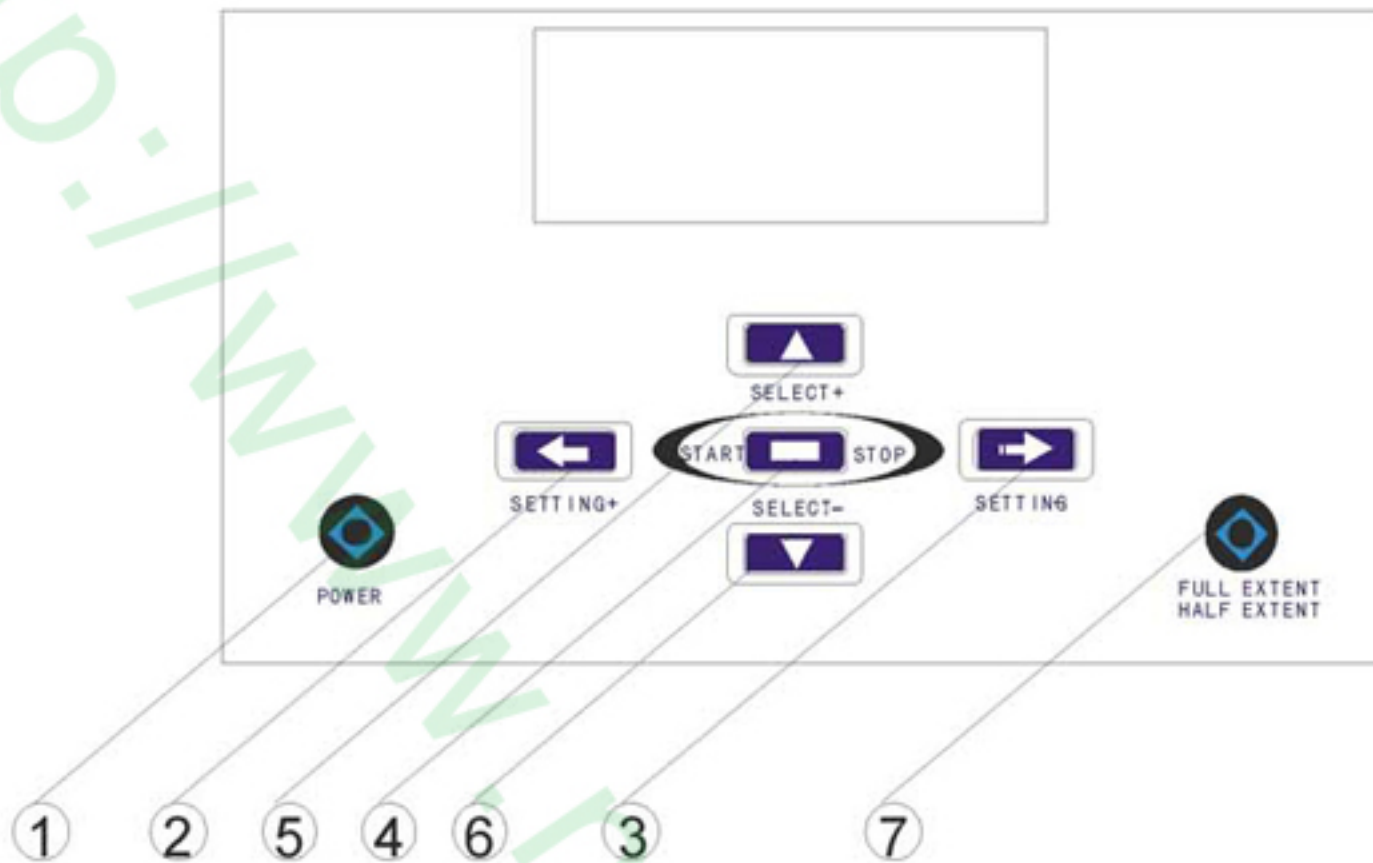
Function 5: Audio frequency vibration

By using the vibration massage, cells can give rise to the effect of vibration to live up to the effects of removal of waste substances and toxin in deep skin so as to activate blood vessels and remove any blocks.



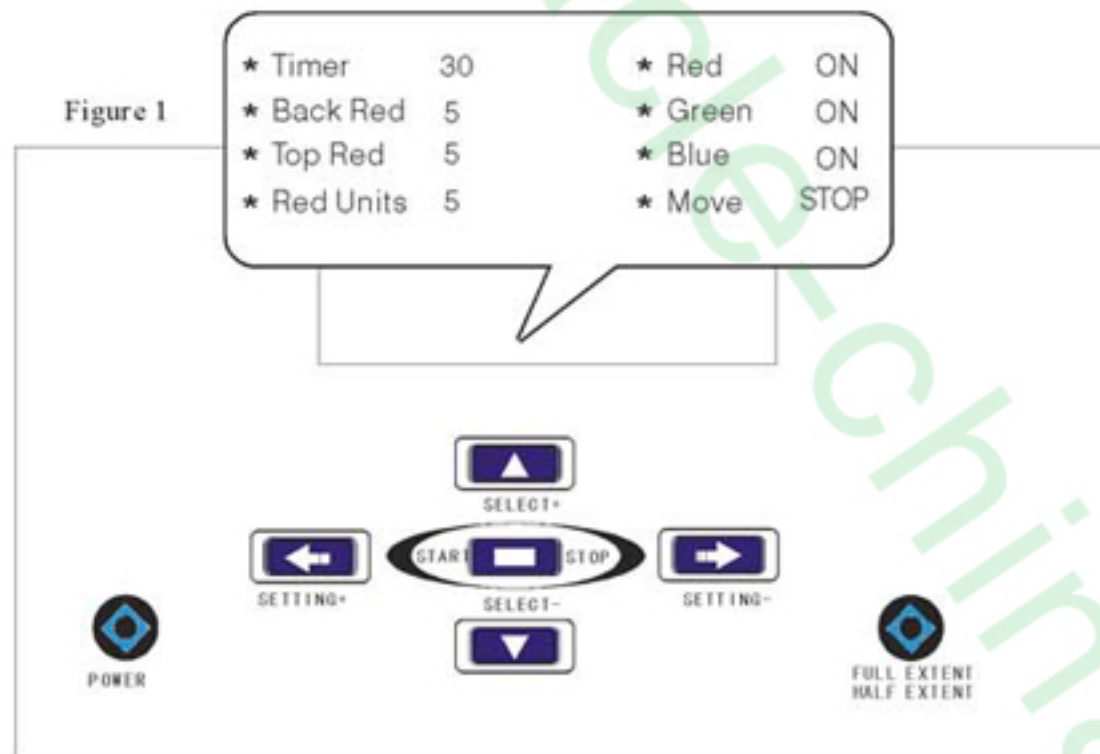
V、 Description of operation panels

Figure 1: Part of body enhancement



- 1、 PPOWER
- 2、 SSETTING+
- 3、 SETTING-
- 4、 START/STOP

- 5、 SELEGT+
- 6、 SELEGT-
- 7、 FULL EXTENT
HALF EXTENT



1. Hold PPOWER button for 3 seconds, and the default state will be displayed immediately on the screen as shown in Figure 1.
2. Use SELECT+ or SELECT- button to select the corresponding options. The cursor will point at the corresponding position as shown in Figure 2.
3. Use SELECT+ or SELECT- button to regulate the operation time of the options. (The maximum time of Back Red Top Red Units is 100) as shown in Figure 3.
4. The options on the right are colored rays. You can use SELECT button to select before it works. For other parts such as functions as far infrared rays and infrared rays, you must press START button before they Work, as shown in Figure 4.

* Timer	30	* Red	ON
* Back Red	5	* Green	ON
* Top Red	5	* Blue	ON
* Red Units	5	* Move	STOP

Figure 2

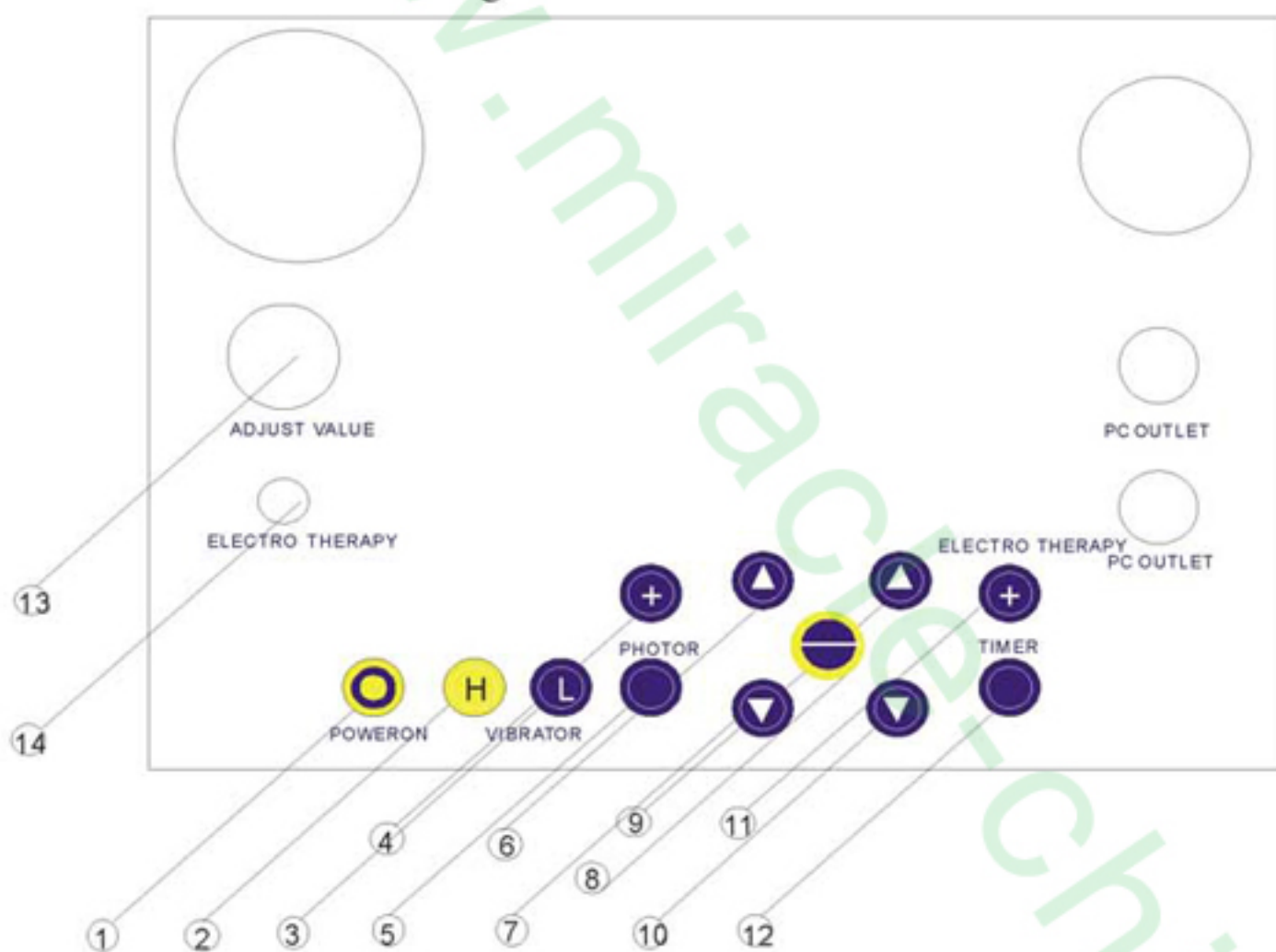
* Timer	30	* Red	ON
* Back Red	10	* Green	ON
* Top Red	5	* Blue	ON
* Red Units	5	* Move	STOP

Figure 3

* Timer	30	* Red	ON
* Back Red	10	* Green	ON
* Top Red	5	* Blue	ON
* Red Units	5	* Move	←←

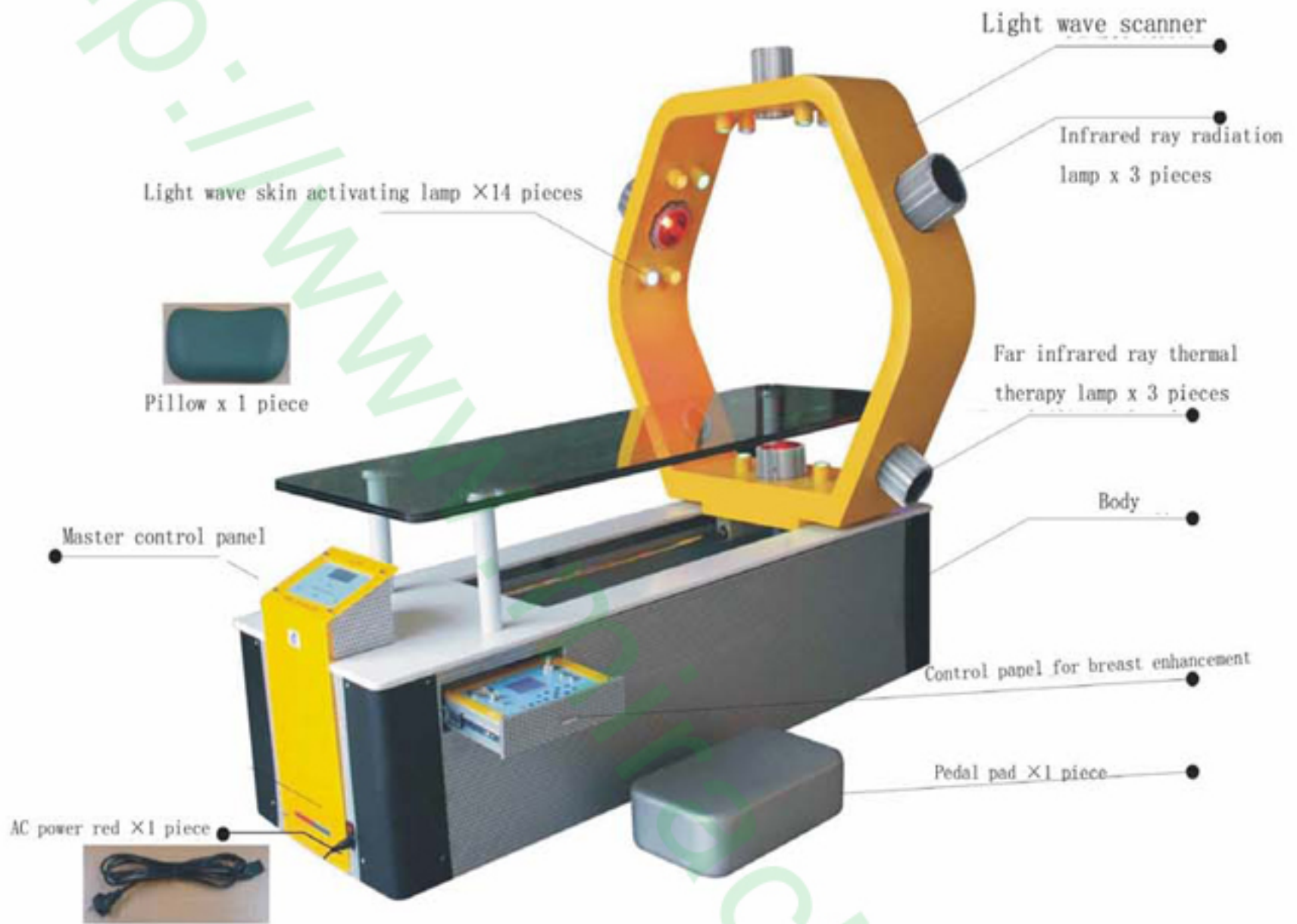
Figure 4

Figure 2: Breast enhancement



- | | |
|-------------------------------------------|---------------------------------------------|
| 1、POWER on/off | 8、Pulse on-off |
| 2、H Negative pressure on /off | 9、Time interval of Pulse pressure increase |
| 3、L Vibration on-off | 10、Time interval of Pulse pressure decrease |
| 4、+Red light increase | 11、Time of work-waiting increase |
| 5、-Red light decrease | 12、Time of work-waiting decrease |
| 6、Time interval of pulse Suction increase | 13、Negative pressure control |
| 7、Time interval of pulse Suction decrease | 14、Mircocurrent frequency input control |

VI、Diagram of Parts



1. Breast enhancement bra, large, medium and small x 2 each



2. Bra 3-way tube X1 piece



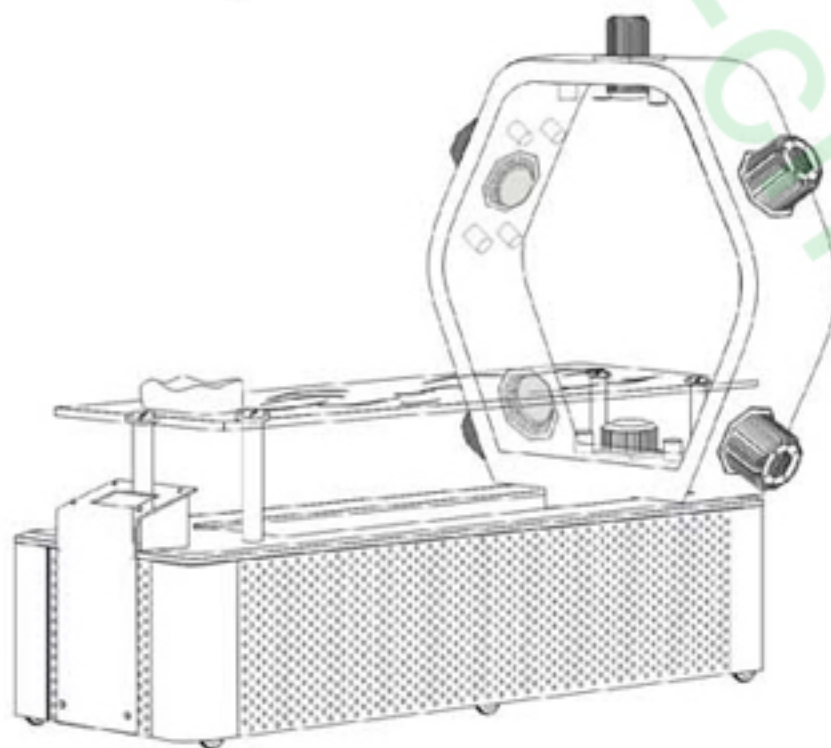
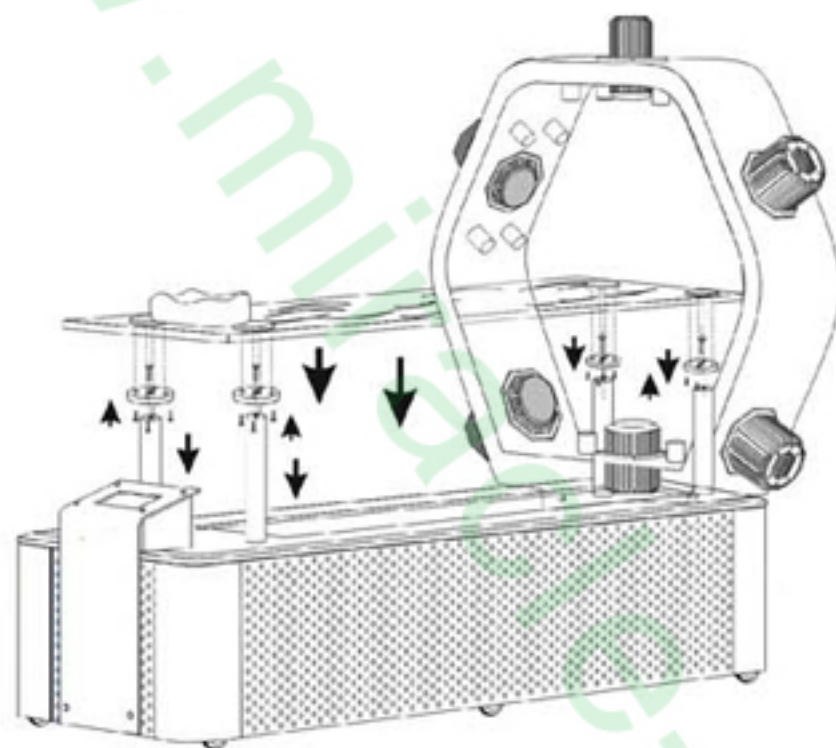
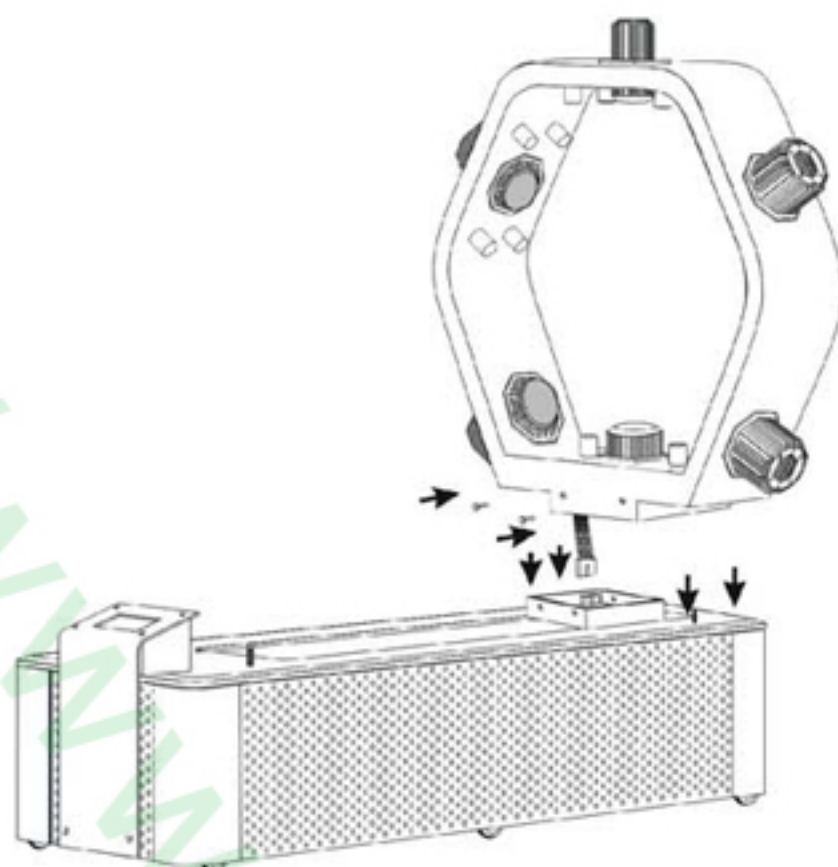
3. Bra single-way tube X1 piece



4. Bra output infrared X2 pieces



VII、Diagram of Installation Flows



Taboos for Customers

1. Patients suffering from hypertension, abnormal blood pressure, malicious tumors, heart attacks or diseases, pregnant women, women in menstrual period, patients suffering from bleeding or hemophilia, disorderly sense of consciousness, telangiectases, suffers from infectious diseases and those for whom remedial operation was performed.
2. Those long-term chronic patients must use under the instruction of doctors.
3. Please do not use if he or she is under 16 years old.
4. If any abnormality is found in the process of application by any customer, Please stop application immediately and seek medical advice.
5. Those suffering from toxin of alcohol, or sufferers from calculus in stomach, heart, bladders or kidney are prohibited to use the products.

VIII. Cautions

In order to ensure that this instrument will be normally used, to extend the service life of this unit, and to guarantee the personal safety of users, please note the following matters in the operation process:

1. This unit belongs to hi-tech products. It is strictly prohibited to dismantle this unit of your own accord. The installation of this unit must be subject to the installation flows and procedures. Improper installation and application must be avoided.
2. The plugs with leak protection are connected to the single item power sockets. It is especially necessary to ensure that the power connection facilities will be effective and comply with the safety criteria of the state. Power sockets and plugs must be kept far away from water sources (and the power supply terminal must be installed with 10A-30A leak switch).
3. If power is disconnected, please first check whether the fuses are under good conditions. If they are destroyed, please change fuses at the same coefficient.
4. After completion of use each time, first cancel all running operation by this unit so that it will be able to resume to the initial state, and then switch off the unit and cut off power.
5. Note waterproof, fire control, moist resistance, corrosion prevention and keep the product away from interference.
6. Please try not to allow this unit work for long time in succession. It is recommended that the interval should be at least 10 minutes between each time of application.

Kind Reminders: The time for the use of the micro current output function of this unit may not exceed 5 minutes.

Quality Assurance: When this unit is normally operated and it was damaged due to no man-made cause, the warranty period for the host will be one year, and the warranty period for parts and consumable parts will be three months.

The following circumstances may not be included within the scope of warranty:

1. Any damages arising from failure to perform the standards as set out in these Operation Instructions in installation or any improper operation thereof.
2. Any damages arising from any unauthorized replacement of parts and components and from any man-made factors in relation thereto.
3. No users may have this unit repaired unless otherwise authorized to do so. If repairs are deemed necessary, please first make phone calls to this company, and they can have professional electronic repairs personnel for repairs under the proper guidance by the engineering personnel from this company.

Methods for Wellness

1. Note to perform maintenance of this unit once a day.
2. While cleaning the surface or face of this unit, it is strictly prohibited to shower the unit directly with water. It is necessary to use soft and half-dried and half-wetted towel plus a small amount of non-corrosive detergents for wiping it.
3. Under the circumstances where power disconnection is made, use completely dry towel to clean the electronic and electric parts.

Special Prompts

If this unit lies idle for long, please turn off power and keep dry within the unit.

MIRACLE CO.,LTD

Address: Room B601 Hengsheng Building B , No. 205 Huanshi Zhong Road
Guangzhou China /POST NO.:510010

TEL:86-20-86673107 FAX:86-20-86672750

Email: admin@miracle-china.com

Skype: miracle-china

MSN:china.miracle@hotmail.com QQ:286372662

<http://www.miracle-china.cn>

<http://www.miracle-china.cn>