

User Manual



- Please read the User Manual carefully before using.
- Please use this product in a proper manner.
- Keep this manual properly after reading it.
- Tiny carbon particles may appear when the machine is used for the first time. This is a common phenomenon. Allow the water to flow for one minute and you can drink the water safely when there are no carbon particles.

■ Important things to note when using	1
■ Name of various parts and accessories	2
■ How to change and install the valve	3
■ Control panel	4
■ How Alkaline water is produced	5
■ Cleansing the electrodes and changing the filter element	5
■ Troubleshooting	6
■ Main specifications	7

●●●■ IMPORTANT THINGS TO NOTE WHEN USING

Please read the instructions carefully when using the Electrolytic Alkaline Calcium Ionizer and observe the instructions during use to avoid damage to the ionizer or affect the health of your family.

Do not use well water or underground water which is murky or which may be polluted by heavy metal.



Do not connect the ionizer to hot water sources or allow water with a temperature of more than 40°C to flow through it. Avoid high temperatures and keep away from direct sunlight.

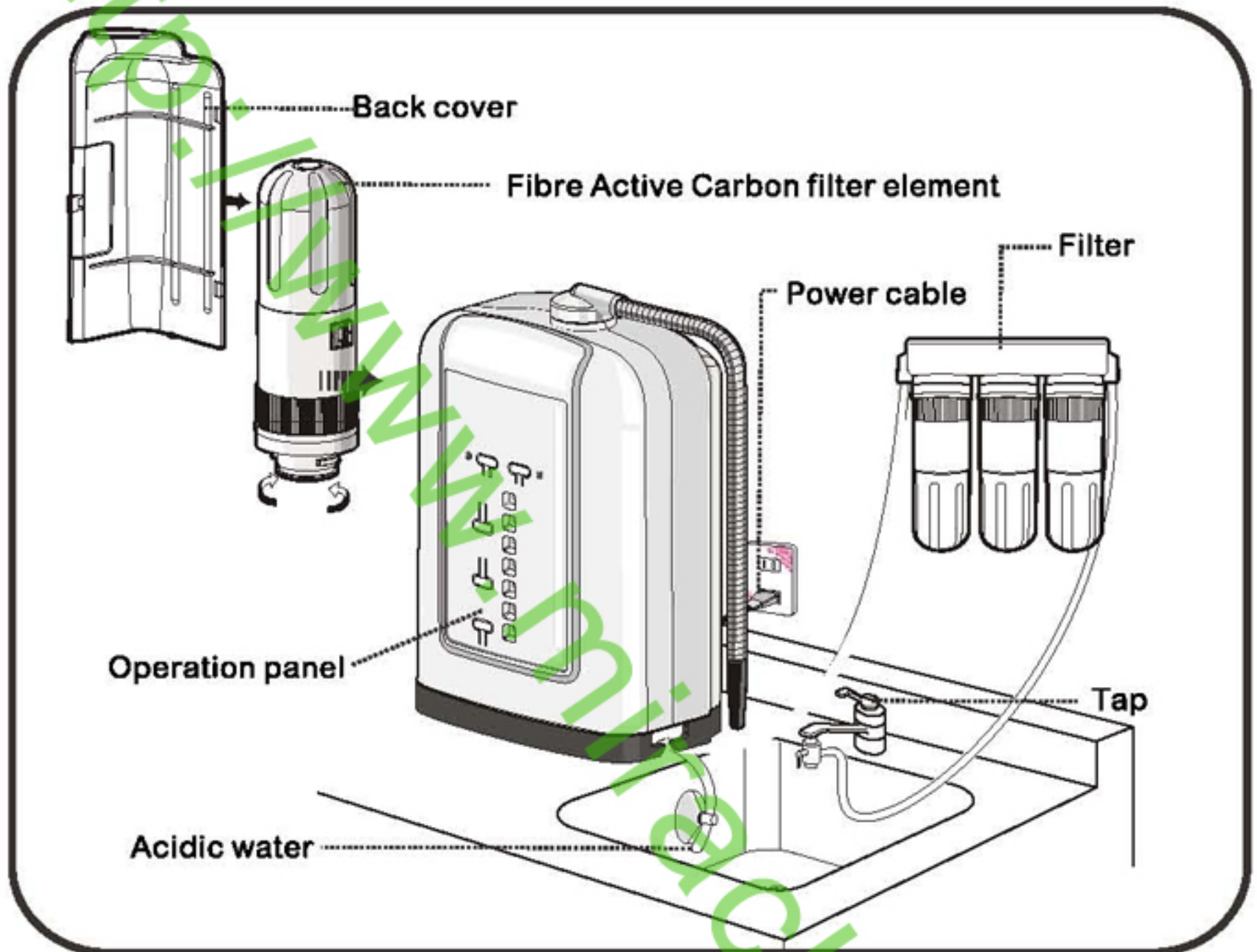


Do not wash the casing directly and avoid using alcohol or other volatile solvents to cleanse the casing. Use a soft cloth or a piece of cloth dipped in soap water to lightly cleanse it.










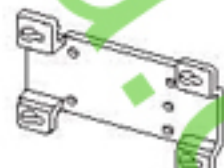


- Release the water for 2~3 minutes each morning.
- Do not use aluminium or copper utensils to avoid chemical reaction.
- Do not store alkaline water for too long. (Maximum of two days storage in the refrigerator and one day under normal room temperature in air tight containers).
- Avoid high temperatures and direct sunlight.
- Do not wash the casing of the Ionizer with water.
- Do not obstruct, bend or break the output tube and drainage tube.
- Do not hang up the acidic water tube during use so that waste water may flow out easily.
- Please remove the plug from the power source when the device is not in use for long period of time.
- Do not use the water for rearing goldfish or tropical fish to avoid ecologic changes and kill the fish.
- Do not take medication with alkaline ionic water.
- Those without acidic problems should not consume alkaline ionic water.
- Those suffering from physical weakness, hepatic and renal ailments and those who are currently under medical or dental care should consult their physician or pharmacist before consuming alkaline water.
- Acidic water is to be used externally for beauty and washing purposes only (Do not drink).
- Do not disassemble the Ionizer by yourself.

NAME OF VARIOUS PARTS AND ACCESSORIES

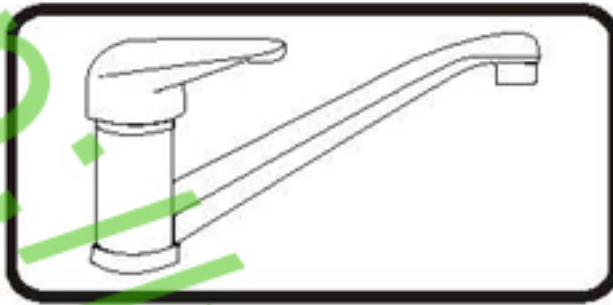


ACCESSORIES

Tap accessories		Ionizer accessories		
Top assembly 	Adaptor 	Rubber tube clip x 2 	Ph tester 5 ml 	Water inlet, disposal tube 
Double threaded joint 	Washer x 2 	Outlet tube 	Suction cup for fixing position of disposal tube 	Hanger (Optional item) 

HOW TO CHANGE AND INSTALL THE VALVE

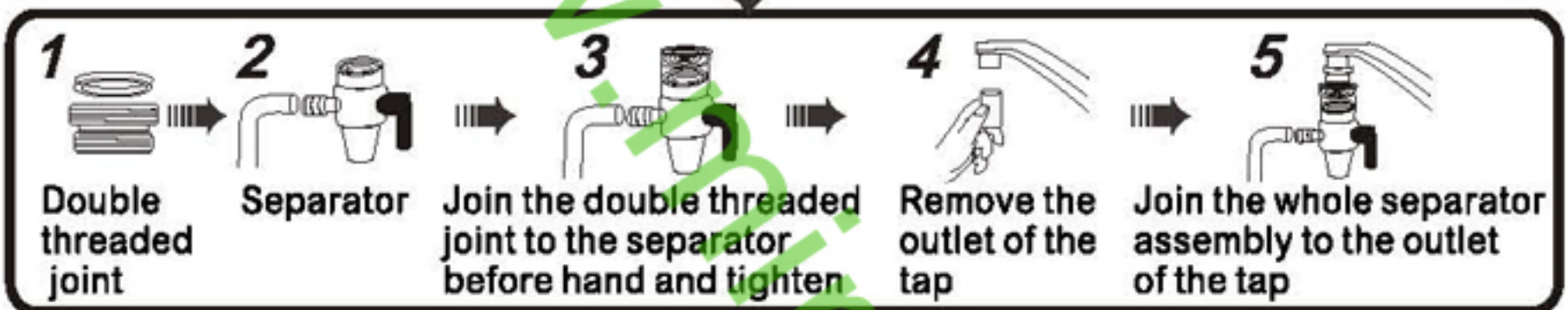
A



If the tap you have is of the European or American type (as shown in left diagram)

■ If there are internal screw threads on the tap (Diagram 1 below), the installation is as follows:

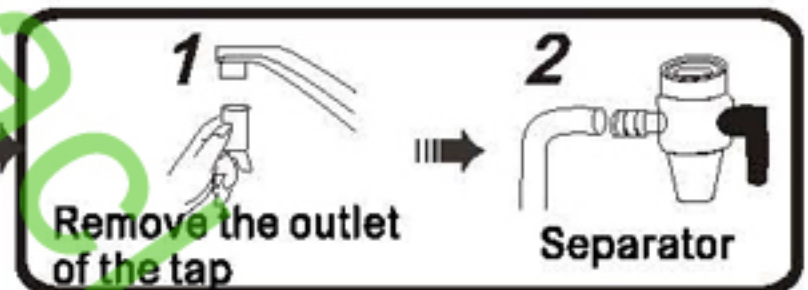
- Join the double threaded joint to the separator and tighten it. (Steps 1, 2, 3)
- Unfasten the outlet of the tap. (Step 4)
- Join the whole separator assembly to the outlet of the tap and tighten it. (Step 5)
- The valve handle may be set to turn to the left or to the right according to One's convenience.



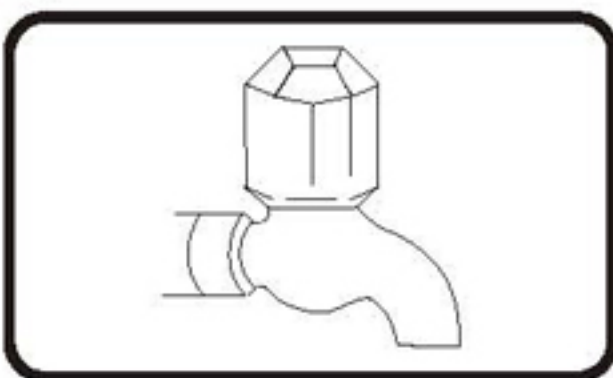
■ If there are external screw threads on the tap (diagram 2 on the right), the installation is as follows

Just remove the outlet of the tap and fasten the valve.

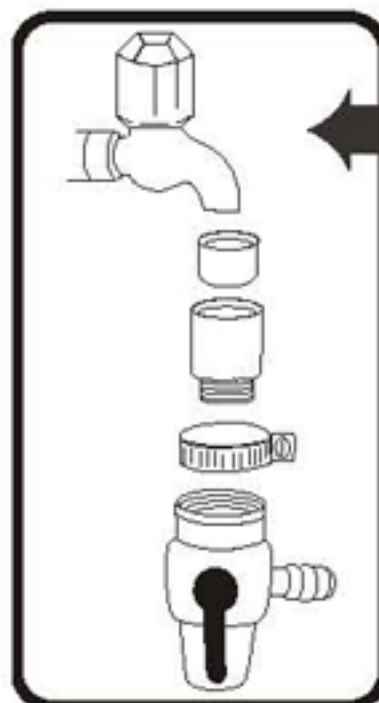
If there are leaks, turn It slightly as shown in the diagram until the leak stops. Ensure that the washer has been inserted before tightening.



B



If the tap you have is of the Taiwanese type (as shown above)



Installation procedure:
(As shown on the left)

- Fix the installation ring first.
- Use the internal ring set and affix it to the tap.
- Tighten with a wrench.
- Finally, affix the valve.

CONTROL PANEL

Indicator light for changing filter element and reset button

When the filter element is changed, press the button for about three seconds and only release your finger upon hearing a "beep" sound.

Cleansing

Electrode cleansing indicator light and extra cleansing indicator light

when the cleansing indicator light is on, press the "clean" button and the indicator light will flash. When the light goes off, the sound will also turn off and the ionizer will be reset automatically to normal mode indicating that cleansing be completed



Light's on indicates in process. Green light's on indicates alkaline water is in process. Red light's on indicates acidic water in process. Both red and green light's on indicates internal cleaning.

Alkaline Ionic Water

Diagrams indicating various stages, from top to bottom, indicating strong to weak and may be adjusted according to personal needs.

Water Cleansing Switch

Acidic Ionic Water

May be adjusted according to personal needs.

PRODUCTION OF ALKALINE WATER

アルカリ

Production of alkaline water: When the tap is turned on, water enters the ionizer. The indicator light will light up and three "beeps" will be heard. The alkaline light will light up and you may select different levels of 1, 2, 3, 4 for different pH values. When the light turns violet, it indicates strong alkaline condition while blue indicates normal alkaline.

浄水

Production of purify water when the purify water button is pressed, water will enter the ionizer and three 'beep' will be heard. There will be no ionizer of either alkaline or acidic water (background light turns green) light turns off 1 minutes after water supply is turned off and the ionizer automatically switches to alkaline mode.

酸性

Production of acidic water: When the acidic switch is pressed, water enters the ionizer and a continuous beep will be heard (background light turns red). The acidic light will light up and you may select different levels of PH values. Light turns off 1 minute after water supply is turned off and the ionizer automatically switches to alkaline mode. (A beeping sound will be heard when the ionizer is in acidic mode to remind you not to drink the water.)

REPLACING THE ELECTRODES AND FILTER ELEMENT

■ Cleansing the Electrodes



Manual switch for extra cleansing

Turn on the tap when the cleansing light is on and the light will blink. When the light stops blinking and the music is turned off, the built-in computer will automatically switch to normal mode after cleansing.

Electrode cleansing indicator light

■ Replacing the filter element



when filter replacement finishes, press filter button for 5 seconds; light off indicates replacement complete.

■ Changing the filter element

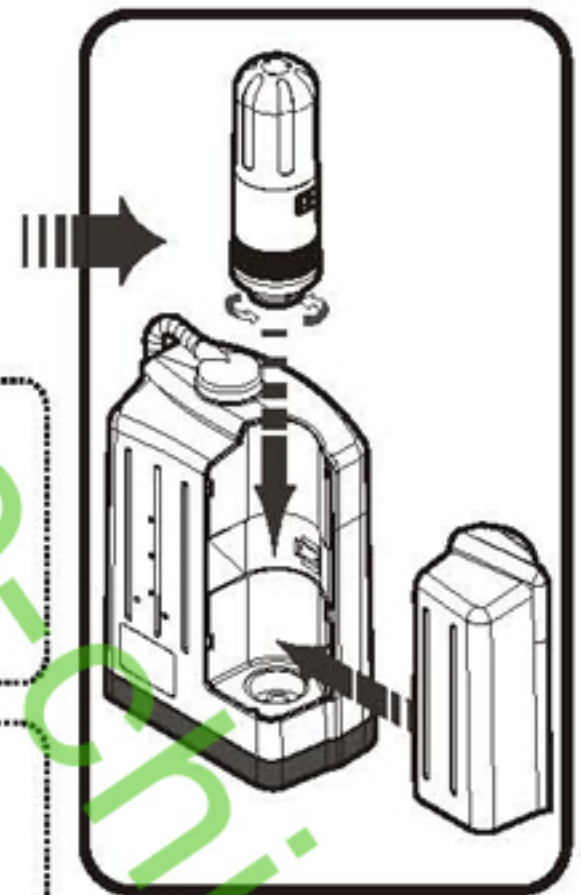
- Disconnect the power supply and turn off the tap.
- Open the back cover.
- unwind the filter anti-clockwise for removal.
- replace with new filter into the dent hole and move it clockwise.
- put the back cover to fit into the dents firmly.

Note

It is necessary to ensure that the filter element is properly fixed and tightened to ensure proper functioning of the Ionizer. Use only designated filter elements to ensure proper functioning of the Ionizer.

Suggestion

- Use tap water as water source.
- The lifespan of the Ionizer and the filter element may be prolonged by adding pre-filters at the expense of the user due to differences in the quality of water in different areas.





Problem	Reason and how to handle problem
Green light does not turn on during production (indicating no electrolysis)	<ul style="list-style-type: none"> ● Water pressure too low, as a result ionizer does not function properly. Additional pump has to be fixed. ● Check to see if the filter element is properly fixed. Improper installation of filter element results in malfunction of ionizer. ● Straighten the outlet tube.
Improper output of ionic water or clean water	<ul style="list-style-type: none"> ● Is it time to change the filter element? (filter element may be purchased from dealers) ● Is the tap turned on full? Turn on tap. ● Cleansing indicator light does not light up? Please carry out cleansing.
Chalky alkaline ionic water is produced	<p>It is normal for the alkaline ionic water produced to be slightly chalky. This is due to the air bubbles present in the water. The water will become clear after a while and it is alright to drink the water.</p>
Brown colour particles present in the ionic water	<p>The brown colour is probably due to the presence of small amounts of iron and it is harmless. Reduce the alkalinity level.</p>
White precipitate floats on alkaline ionic water when stored or a thin film appears in the internal wall	<ul style="list-style-type: none"> ● This is a reaction between calcium ions and carbonic acid in the air, resulting in crystallization (solid calcium particles). It is alright to drink the Water. ● The thin film is solid calcium. Wash it off with Vinegar.
When the ionizer is not used for long periods of time	<p>Disconnect from the power supply and release water from the water outlet and the filter assembly.</p>
Water output drops gradually	<p>Possibly due to crystallization on the inner walls of the output tube, obstructing flow. Request for cleansing by our service personnel or purchase a new filter element from us.</p>

- To reduce crystallization, use the acidic water button and the cleansing button more frequently.
- Have your Ionizer cleansed annually to prolong the lifespan of the electrodes and for proper functioning of the unit.

Voltage	110V/60Hz (220V Specially ordered)		
Dimensions (mm)	H310xW220xD125	Power consumption	app.320W (Max)
Weight	app. 4.0kg	Power cord length	app. 9 ft
Water pressure	1.6.5kg/m	Output	1.3liters/min.
Electrodes	Hi-tech precise titanium-platinum alloy plates from Japan Precise ceramic ionic membrane from Japan		
Filter material	Carbon fibre filter element from Japan		
Electrolysis	Continuous electrolysis (built-in ammeter)		
Safety device	Fuse10A Circuit board: Overheating protection at 1A current Built-in thermostat protection for transformer		
Maximum temperature on continuous use	≤40°C		
Water cleansing device	Total Flow app 3000L~12000L Cleansing power 5.0L/min Free residual salt removal, foul odour removal—トリハロメタン		
Electrolysis	Ideal rate of water treatment 2L/min [Input pressure @ 0.1MPa (app. 1kgf/cm ²)] Output 3L/min [@0.2MPa input pressure (app. 2kgf/cm ²)] Electrolysis stages Alkaline 4 stages, Acidic 2 stages Continuous electrolysis time (Stages 1-2) app. 1 hour (stages 3-4) app. 30 min. Electrolytic cleansing Automatic cleansing each time water is turned on, cleansing alarm increased thereafter		

使用說明書



- 新機使用時有黑色小破粒出現，屬正常現象，先排水一分鐘，等小破粒排完，即可正常飲用。
- 閱讀完此使用說明書後請妥善保管
- 請正確地加以使用本產品
- 使用前請詳細閱讀說明書

■ 使用注意事項	1
■ 各部位名稱及附屬品	2
■ 切換開關的安裝方法	3
■ 操作面板	4
■ 鹼性水的生成方法	5
■ 電解槽清洗與濾芯更換	5
■ 故障時的處理方法	6
■ 主要規格	7

●●● 使用注意事項

使用電解鹼性鈣離子水機時，請先仔細閱讀此使用注意事項，並請在電解鹼性鈣離子水機的使用過程中遵守，否則可能會造成電解鹼性鈣離子水機的損傷或影響家人的健康。

請勿使用井水、地下水等極為混濁的水或受重金屬污染的水。



請勿與熱水器結合，而讓40度以上的熱水流入。並避開高熱與陽光直射。

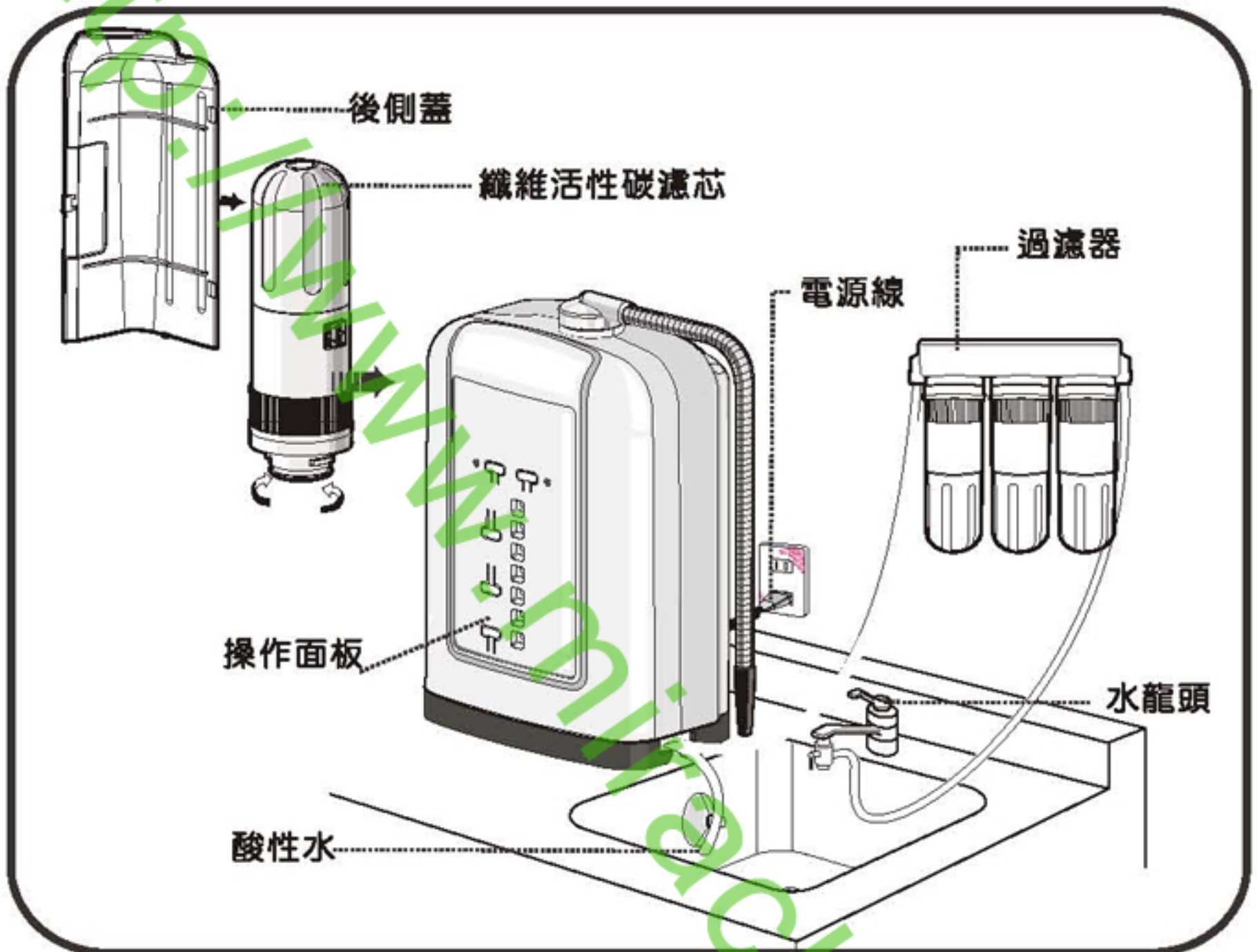


請勿用水直接沖洗機體；且不要用酒精等揮發性溶劑擦試機體，請用柔軟的布或沾有肥皂水的布輕輕地擦拭。









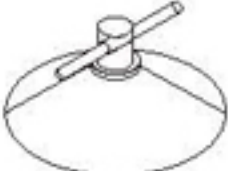
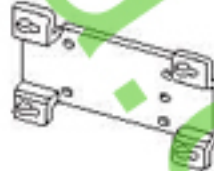


- 每天早上先放水2~3分鐘。
- 請勿使用鋁製容器或銅製容器，避免產生質變。
- 請勿長期儲存鹼性水。(在密封狀態下，常溫時為一天內，放入冰箱冷藏時則為二天)
- 避開高熱與陽光直射。
- 請勿用水直接沖洗機體。
- 請勿堵住、彎曲、扭折出水管與排水管。
- 使用時，酸性水管請勿高掛，以免殘水不易排出。
- 長時間不使用本機時，請將電源插頭拔除。
- 請勿用作金魚或熱帶魚的養殖水，避免改變環境，而造成魚隻死亡。
- 請勿以鹼性離子水服用藥物。
- 無酸症患者請勿飲用鹼性離子水。
- 身體衰弱者、患有肝病腎臟病、正在接受醫師或牙醫師治療者，飲鹼性水前先與醫師或藥劑師洽談。
- 酸性水為美容保養及洗滌外用(請勿飲用)。
- 請勿自行拆卸本機組件。

各部位名稱及附屬品

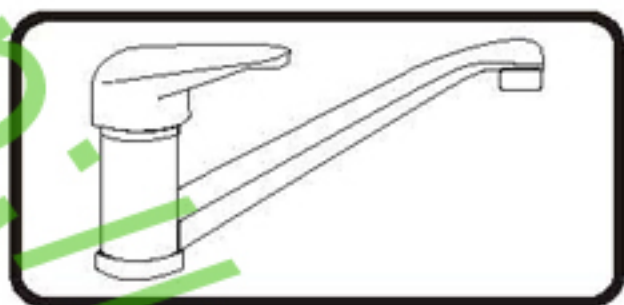


附屬品

水龍頭用零配件		電解水機零配件		
頂座 	切換器 	軟管夾×2 	Ph測試劑5ml 	進水、排水軟管 
雙層螺牙 	環套×2 	蛇管 	固定排水管用吸盤 	吊片(選購配件) 

●●● 切換開關安裝的方法

A



當您家裡的水龍頭是歐式、美式水龍頭(如左圖)

■ 若出水口為內螺紋(下圖1)，安裝步驟：

- 先將雙層螺牙與分水器先行組合再加以鎖緊。(步驟1.2.3)
- 旋下家中水龍頭之起波器。(步驟4)
- 將整組分水器裝上墊圈裝於水龍頭出水處旋緊即可。(步驟5)
- 切換開關之把手可依個人習慣而固定於左方或右方。



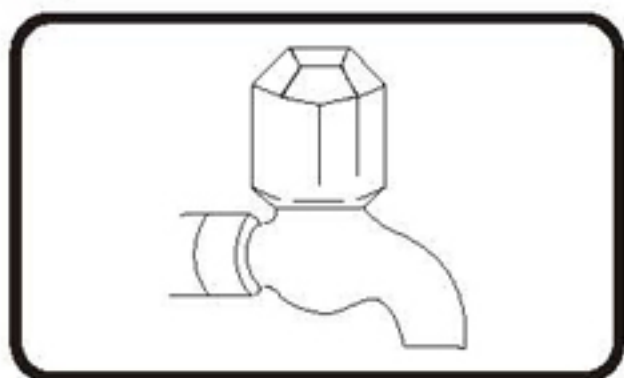
■ 若出水口為外螺紋(右圖2)，安裝步驟：

只要旋出水口之起波器，再旋上切換開關即可。

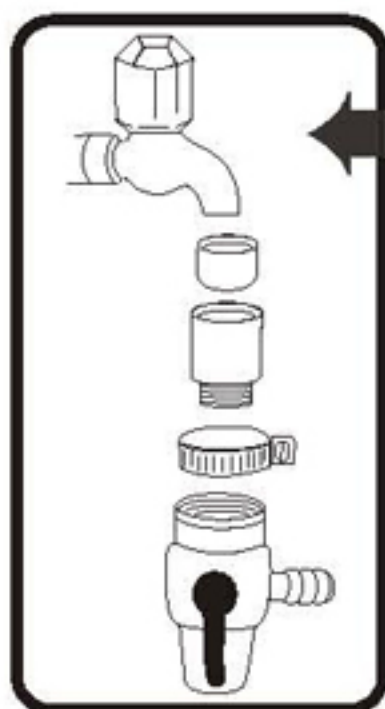
如發現漏水，請輕輕用手依圖指示轉至不漏水為止，旋緊前請注意分水器是否有O令(墊圈)。



B



當您家裡的水龍頭是台式水龍頭(如上圖)



安裝步驟：(如左圖)

- 先放進安裝環。
- 選擇內部套環，套上水龍頭。
- 使用固定具固定。
- 在鎖上切換開關即可。

操作面板

濾芯交換燈與重設鍵

當濾芯已完成更換時，請壓交換鍵3秒不放，在聽到嗶一長聲且壽命指示板復才放手

洗淨

電解槽清洗燈及加強洗淨燈

當清洗燈亮時，請打開水龍頭壓鍵 **清洗 Clean**，清洗燈閃爍；等燈熄滅、無音樂聲，電腦會自動跳至日常飲用表示已清洗完成



當燈號亮時表示生成中，綠燈亮時表示鹼性水生成中，紅燈亮時表示酸性水生成中，紅燈、綠燈交換閃爍，表示正在進行內部清洗

鹼性離子水

段位圖案由上而下由強至弱，可依各人需求而做調整

淨水鍵

酸性離子水

可依各人而求而做調整

鹼性水的生成方式

アルカリ

鹼性水生成：打開水龍頭開關、水進入生成器，生成中螢幕背光亮，三聲滴滴聲音；鹼性燈亮，隨1234段鍵選擇不同，PH強弱隨之不同。背光紫色表示強鹼，藍色表示鹼性鍵。

浄水

淨水生成：當按淨水鍵時，水進入生成器，三聲滴滴聲音後鹼性與酸性出水口皆呈無電解狀態，（綠色螢幕背光亮）原水關閉，1分鐘內背光熄滅，自動跳至鹼性鍵。

酸性

酸性水生成：當按酸性鍵時，水進入生成器連續滴滴聲音（背光呈紅色），酸性燈亮；隨酸性鍵選擇不同PH強弱隨之不同，原水關閉時，1分鐘內背光熄滅，酸性鍵會自動跳至鹼性鍵（在酸性鍵時，機器會發出嗶嗶聲的誤飲提示）。

●●● 電解槽清洗與濾芯更換

■ 電解槽清洗



電解槽清洗指示燈

手動加強清洗鍵

當清洗燈亮時請打開水龍頭押此鍵，清洗燈閃爍，等燈熄無音樂聲，電腦會自動跳至日常飲用表示清洗完成。

■ 濾芯更換



當濾芯更換完畢，押濾芯鍵5秒，燈滅，表示更換完成。

■ 濾芯的更換方法

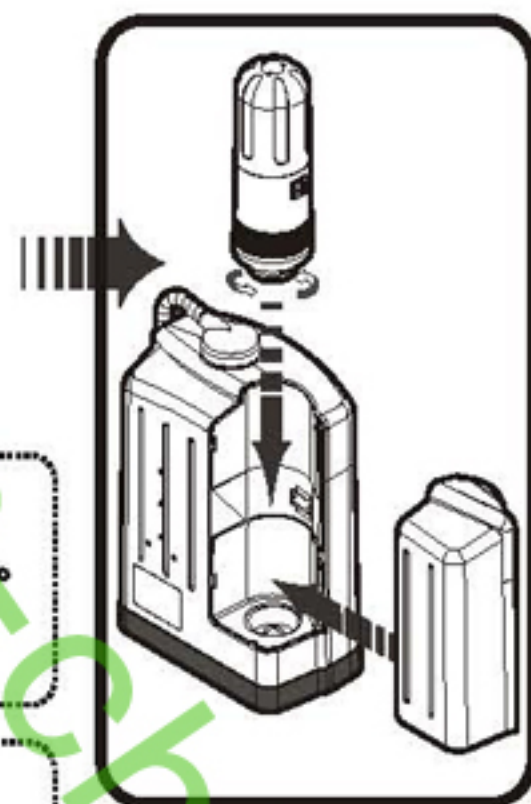
- 切斷電源，關閉水龍頭。
- 將後側蓋掀開。
- 依逆時間方向將濾芯旋轉取出。
- 更換新濾芯，對準凹槽放入，依順時鐘方向旋緊濾芯。
- 再將後蓋對準機身凹槽往前一推關上。

注意

- 濾芯定要對準刻度旋緊，才能使機器正常運作。
- 為確保全機功能正常，請使用指示專用濾心。

建議

- 使用自來水為安裝水源。
- 各地區水源的水質不同，用戶若能額外付費再加裝2~3道前置過濾、將有助於保護機器與濾心壽命。



故障發生時的處理方法



現象	發生故障的主要原因和處理方法
生成中綠燈不亮時 (表示未有電解動作)	<ul style="list-style-type: none"> ● 水壓過低，致使本機不能正常工作請服務人員加裝泵浦。 ● 檢查濾心有無裝置正確，不正確放置濾心會使機器無法運作。 ● 請將扭曲的彎管接直。
離子水或淨水出水不良時	<ul style="list-style-type: none"> ● 可能是應該更換淨水器濾心了？(濾芯可在各經銷商購買) ● 自來水的水龍頭是否開得過小？請將水龍頭開大點。 ● 需要清洗的指示燈有沒有點亮？請進行清洗。
電解出的鹼性離子水呈現白濁色時	因為生成之後的鹼性離子水通常呈白濁色，這是由於生成反應而產生的氣泡，等一會兒之後就呈現透明色，並不妨礙飲用。
在離子水內發現到茶褐色的物體	茶褐色可能是微量的鐵質成分，對身體無害。請降低鹼性水等級。
鹼性離子水保存容器出現白色漂浮物或內壁會形成薄膜時	<ul style="list-style-type: none"> ● 這是鈣離子與空氣中的碳酸氣體產生反應，而引起結晶(鈣的固體成分)並不妨礙飲用。 ● 看到的薄膜是鈣的固體成分，請用食用醋進行清洗。
長時間不使用本機時	請一定要將插頭拔下來，並卸下分路水門和淨水器的過濾裝置。
鵝頸出水口流水量漸漸變小	可能管壁逐漸形成鈣結晶，致出水口堵塞變小，請服務人員幫忙清洗管壁或向本公司購買本機專用清潔濾芯。

- 為減少結晶鈣的產生，請多使用酸性水鍵與清洗鍵。
- 請每年定期一次交由公司做電解槽清洗保養，可避免機器異常產生，永保如新。

●●● 主要規格

使用電壓	110V/60Hz (220V需另訂製)		
主尺寸(mm)	高310x寬220 x深125	消耗電力	約320W (最大)
機重量	約：4.0kg	電源線長度	約9呎
入水壓水	1~6.5公斤/平方公分	出水量	1~3公升/分
電解材料	日本高科技精密燒結鈦白金電解片 日本精密陶瓷離子隔膜		
濾芯材料	日製碳纖維濾芯		
電解方式	連續電解方式(流量計—內藏)		
本機保護裝置	Fuse10A 電路板：1A過電流過熱保護裝置 變壓器內藏式溫度保護		
連續使用最高溫度	≤40度C		
淨水器	總流過水量 約3000L~12000L 5.0L/分淨水能力 游離殘留鹽素除去、異臭味除去—トリハロメタン		
電解	理想處理水量 2L/分 【入水壓力0.1MPa時(約1kgf/cm ²)】 吐水量3L/分 【入水壓力大約0.2MPa時(約2kgf/cm ²)】 電解段數 鹼性4階段、酸性2階段 可連續電解時間 (1-2段)約1小時(3-4)約30分鐘 電解洗淨 每次水源開關後自動洗淨，一段時間再加強清洗警告		

MIRACLE CO.,LTD

Address: Room B601 Hengsheng Building B , No. 205 Huanshi Zhong Road Guangzhou China /POST NO.:510010

TEL:86-20-86673107 FAX:86-20-86672750

Email: admin@miracle-china.com

Skype: miracle-china

MSN:china.miracle@hotmail.com QQ:286372662

<http://www.miracle-china.cn>

<http://www.miracle-china.cn>